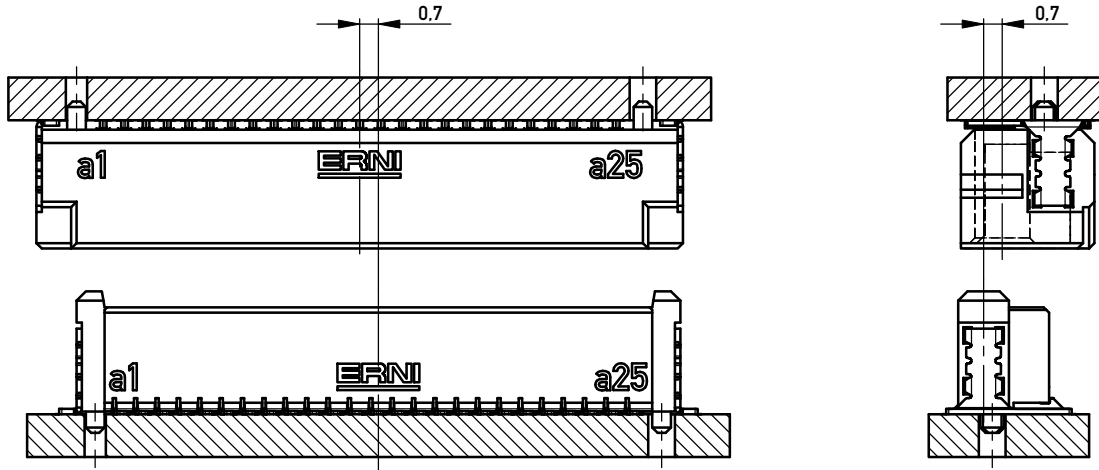
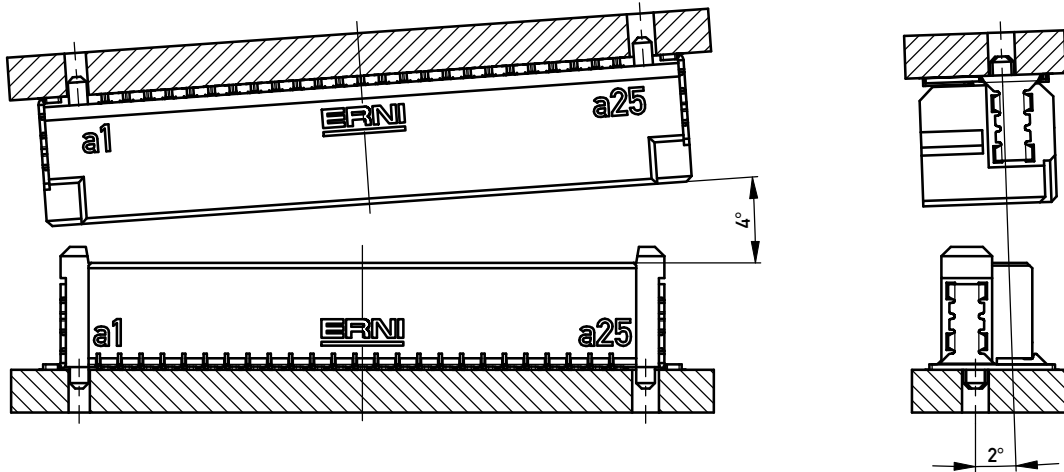


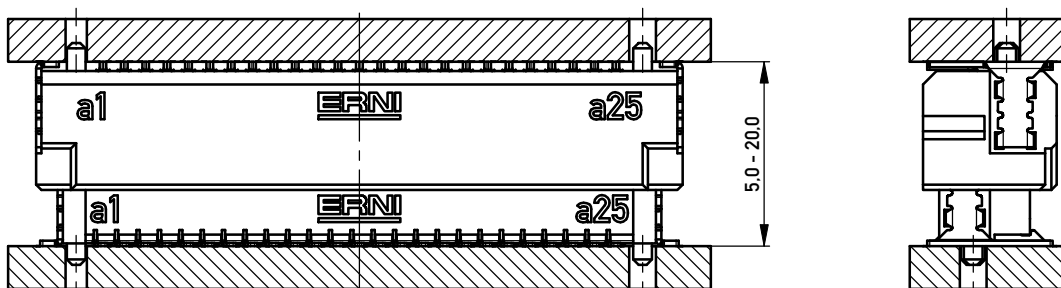
zulässiger Mittenversatz in Längs und Querrichtung während des Steckvorgangs jeweils $\pm 0,7\text{mm}$
allowed misalignment in longitudinal and transverse axes $\pm 0,7\text{mm}$ during the mating operation



zulässiger Winkelversatz während des Steckvorgangs, längs $\pm 4^\circ$, quer: $\pm 2^\circ$
allowed angular inclination longitudinal: $\pm 4^\circ$, transverse: $\pm 2^\circ$, during the mating operation

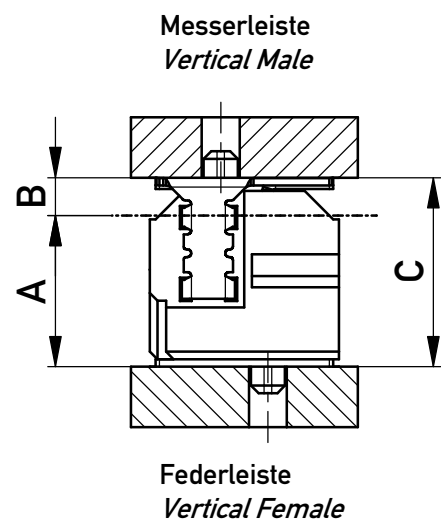


"Board to Board" Abstand für sichere Kontaktgabe: 5,0 - 20,0mm
"Board to Board" distance for secure mating: 5,0 - 20,0mm
 Überstecksicherheit max. 1,9mm
wipe length max. 1,9mm



Copyright by ERNI GmbH Proprietary notice pursuant to ISO 16106 to be observed.	Dimension Nr.		Tolerances		All Dimensions in mm	Scale	5:1	Tool-Nr.:	
			DIN 7167			Material			
			Drawn	29.09.2010	Date	Name	Designation		
			Checked				Steckbedingungen 0,8 DRC Mating conditions 0,8 DRC		
			Approved						
				Electronics GmbH D-73099 ADELBERG		E05277			
e01	Index	Modification Nr.	Date	Name	Class			A3	

**Board to Board
Mezzanine**

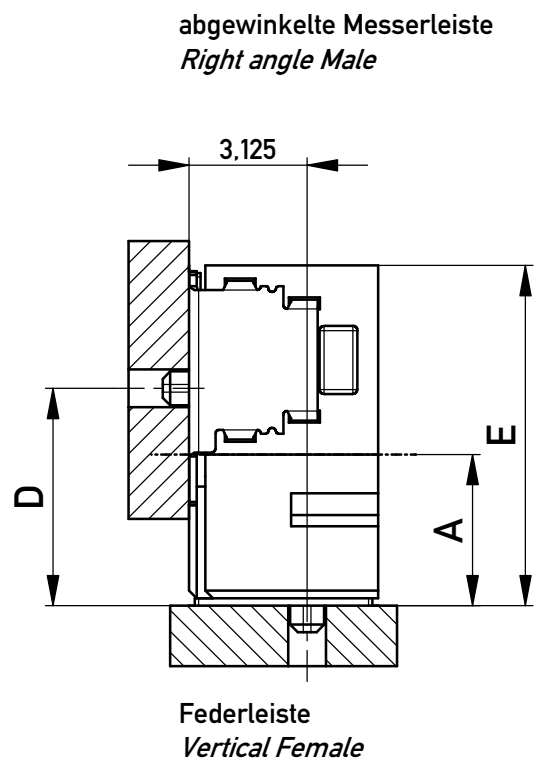


10,0	10,0	20,00
10,0	9,0	19,00
8,0	10,0	18,00
8,0	9,0	17,00
6,0	10,0	16,00
6,0	9,0	15,00
4,0	10,0	14,00
4,0	9,0	13,00
10,0	2,0	12,00
10,0	1,0	11,00
8,0	2,0	10,00
8,0	1,0	9,00
6,0	2,0	8,00
6,0	1,0	7,00
4,0	2,0	6,00
4,0	1,0	5,00
A	B	C

**A = Höhe Federleiste
Height Female Connector**

**B = Höhe Messerleiste
Height Male Connector**

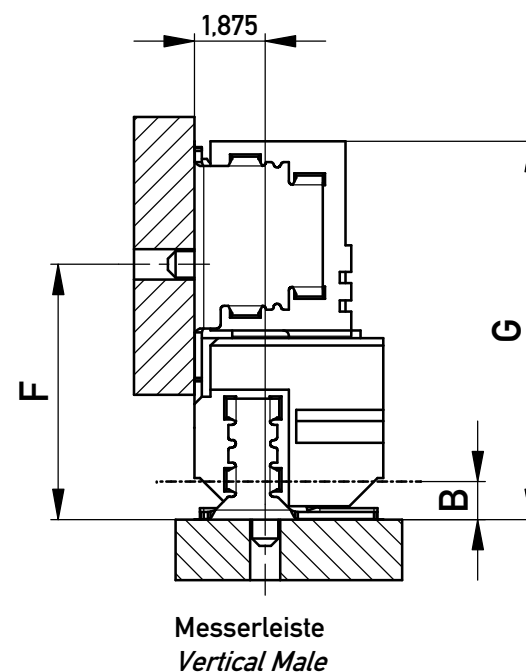
**Motherboard auf Tochterkarte
Motherboard to daughter card**



10,0	11,75	15,00
8,0	9,75	13,00
6,0	7,75	11,00
4,0	5,75	9,00
A	D	E

**A = Höhe Federleiste
Height Female Connector**

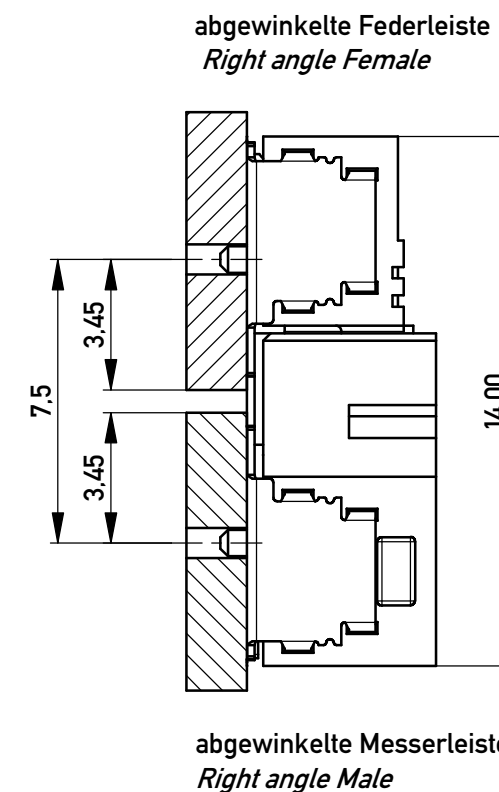
**abgewinkelte Federleiste
Right angle Female**



10,0	12,75	16,00
9,0	10,75	14,00
2,0	8,75	12,00
1,0	6,75	10,00
B	F	G

**B = Höhe Messerleiste
Height Male Connector**

**Extender Karte
Coplanar card**



Überstecksicherheit max. 1,9mm - wiper length max. 1,9mm

Information:	Tolerances	 All Dimensions in mm	Scale	5:1
	All rights reserved. Only for Information. To ensure that this is the latest version of this drawing, please contact one of the ERNI companies before using.		Designation Steckmöglichkeiten 0,8 DRC Stacking Dimensions 0,8 DRC	
Subject to modification without prior notice. Drawing will not be updated.		 www.ERNI.com	E05279	
Index	Date		Class	K

Copyright by ERNI GmbH
Proprietary notice pursuant to ISO 16016 to be observed.