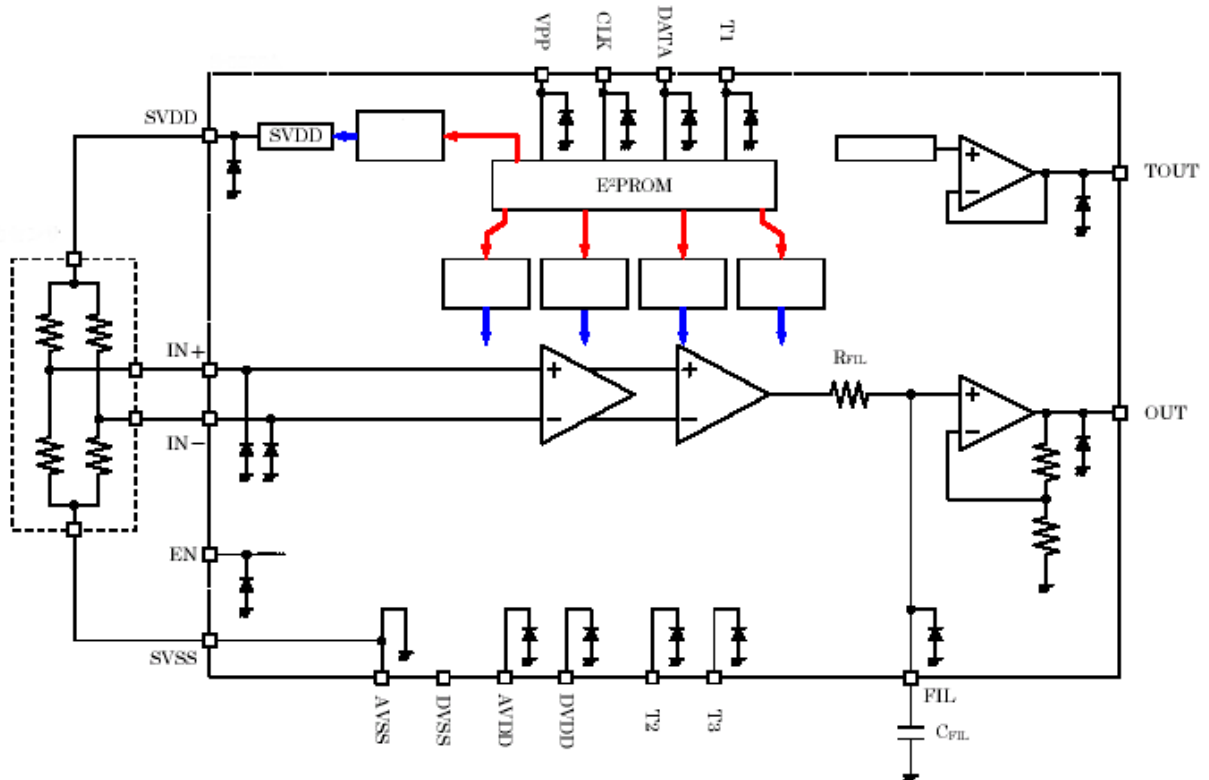
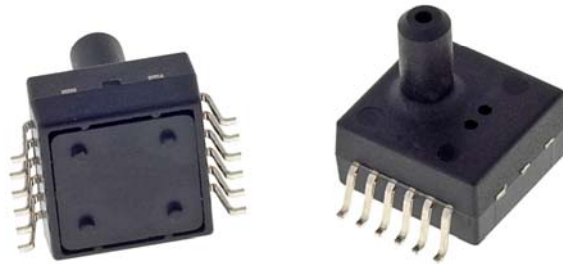


## ASIC based high performance pressure sensor

The sensor is composed of a four-resistors basic sensing element and an original designed ASIC. The “two chips in one package” features a highly customizing availability for many kinds of sensor properties such as pressure range, accuracy, operating temperature, etc.



## Preliminary specifications

Supply voltage:	__VDC	3.0 ~ 5.0VDC
Output signal:	Analog output	
		0.5 ~ 2.5V (3VDC supply)
		0.5 ~ 4.5V (5VDC supply)
		Linear to the applied pressure
Rated pressure:	__kPa ~ __kPa	
Accuracy:	+/- __%FS ( __ ~ __ degC)	
Response time:	1ms max	
Storage temperature:	-40 to +120 degC	
Humidity:	0 to 95%RH, no condensation	
Power saving function:	Sleep mode available	
Auxiliary output:	Temperature signal	

