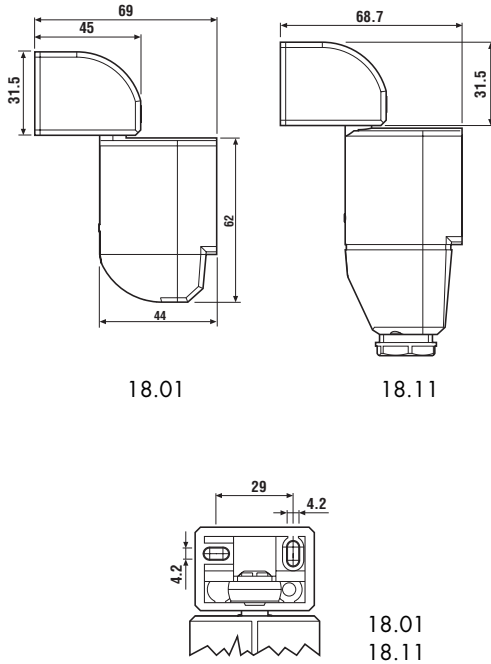


Features

PIR movement detector for internal or external installations - wall mounting

- Small size
- Adjustable ambient light intervention threshold
- Adjustable Light On Time
- Universal mounting position - permits the selection of any area for survey
- Wide angle of survey



18.01

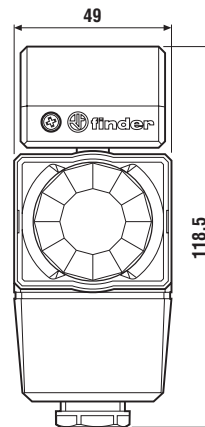
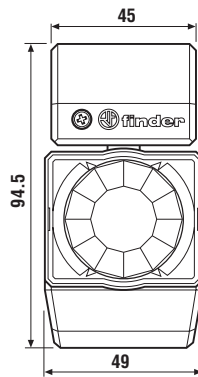


18.11



- 1 NO (SPST-NO) 10 A
- Internal installations
- Particularly suited for wall mounting

- 1 NO (SPST-NO) 10 A
- External installations
- Particularly suited for wall mounting



Contact specification

Number of contacts	1 NO (SPST-NO)		1 NO (SPST-NO)	
Rated current/Maximum peak current	A 10/20 (100 A - 5 ms)		A 10/20 (100 A - 5 ms)	
Rated voltage/Maximum switching voltage	V AC 230/230		V AC 230/230	
Rated load AC1	VA 2,300		VA 2,300	
Rated load AC15 (120/230 V)	VA 250	VA 450	VA 250	VA 450
Nominal lamp rating: incandescent (120/230 V)	W 500	W 1,000	W 500	W 1,000
compensated fluorescent (120/230 V)	W 200	W 350	W 200	W 350
uncompensated fluorescent (120/230 V)	W 250	W 500	W 250	W 500
halogen (120/230 V)	W 500	W 1,000	W 500	W 1,000
Standard contact material	AgSnO ₂		AgSnO ₂	

Coil specification

Nominal voltage	V AC (50/60 Hz)	120...230	120...230
	V DC	—	—
Rated power AC/DC	VA (50 Hz)/W	2.5/—	2.5/—
Operating range	AC (50/60 Hz)	96...253V	96...253V
	DC	—	—

Technical data

Electrical life at rated load AC1	cycles	100 · 10 ³	100 · 10 ³
Ambient light intervention threshold	lx	5...350	5...350
Light on time after last detection		10 s...12 min	10 s...12 min
Angle of survey		110°	110°
Depth of field	m	10	10
Ambient temperature range	°C	-10...+50	-30...+50
Protection category		IP 40	IP 54

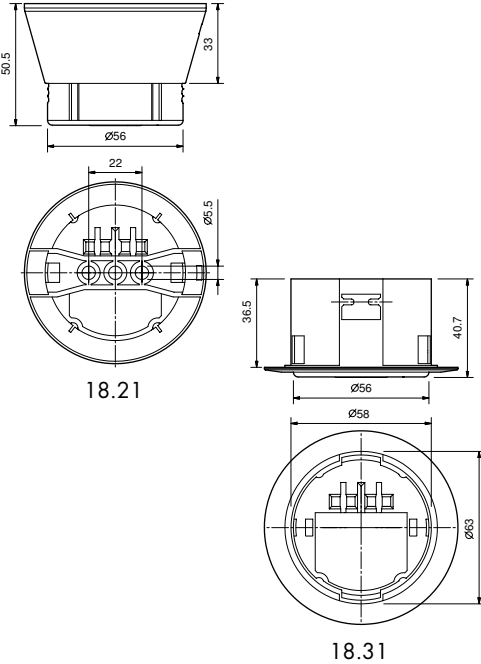
Approvals (according to type)



Features

PIR movement detector for internal installations

- Ceiling mounting
- Small size
- Adjustable ambient light intervention threshold
- Adjustable Light On Time
- Wide angle of survey



NEW 18.21

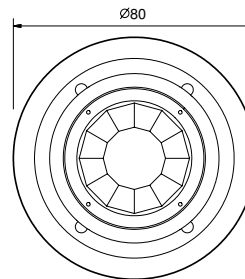
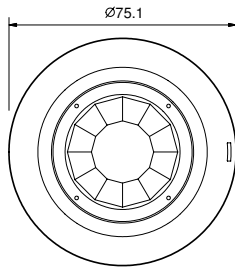


- 1 NO (SPST-NO) 10 A
- Internal ceiling installation
- Surface mounting

NEW 18.31



- 1 NO (SPST-NO) 10 A
- Internal ceiling installation
- Recessed mounting



Contact specification

Number of contacts	1 NO (SPST-NO)		1 NO (SPST-NO)		
Rated current/Maximum peak current	A	10/20 (100 A - 5 ms)		10/20 (100 A - 5 ms)	
Rated voltage/Maximum switching voltage	V AC	230/230		230/230	
Rated load AC1	VA	2,300		2,300	
Rated load AC15	(120/230 V) VA	250	450	250	450
Nominal lamp rating: incandescent (120/230 V)	W	500	1,000	500	1,000
compensated fluorescent (120/230 V)	W	200	350	200	350
uncompensated fluorescent (120/230 V)	W	250	500	250	500
halogen (120/230 V)	W	500	1,000	500	1,000

Standard contact material: AgSnO₂

Coil specification

Nominal voltage	V AC (50/60 Hz)	120...230	120...230
	V DC	—	—
Rated power AC/DC	VA (50 Hz)/W	2.5/—	2.5/—
Operating range	AC (50/60 Hz)	96...253V	96...253V
	DC	—	—

Technical data

Electrical life at rated load AC1	cycles	100 · 10 ³	100 · 10 ³
Ambient light intervention threshold	lx	5...350	5...350
Light on time after last detection		10 s...12 min	10 s...12 min
Angle of survey		110°	110°
Sensing area diameter	m	8	8
Ambient temperature range	°C	-10...+50	-10...+50
Protection category		IP 40	IP 40

Approvals (according to type)



Ordering information

Example: 18 series, PIR movement detector for internal installations, wall mounting, 1 NO (SPST-NO) 10 A contact, 120...230 V AC supply.

<p>Series</p> <p>Type</p> <p>0 = Internal installation - wall mounting 1 = External installations 2 = Internal ceiling installation - surface mounting 3 = Internal ceiling installation - recessed mounting</p>	<div style="border: 1px solid black; padding: 2px; display: inline-block;">1</div> <div style="border: 1px solid black; padding: 2px; display: inline-block;">8</div> <div style="border: 1px solid black; padding: 2px; display: inline-block;">.</div> <div style="border: 1px solid black; padding: 2px; display: inline-block;">0</div> <div style="border: 1px solid black; padding: 2px; display: inline-block;">1</div> <div style="border: 1px solid black; padding: 2px; display: inline-block;">.</div> <div style="border: 1px solid black; padding: 2px; display: inline-block;">8</div> <div style="border: 1px solid black; padding: 2px; display: inline-block;">.</div> <div style="border: 1px solid black; padding: 2px; display: inline-block;">2</div> <div style="border: 1px solid black; padding: 2px; display: inline-block;">3</div> <div style="border: 1px solid black; padding: 2px; display: inline-block;">0</div> <div style="border: 1px solid black; padding: 2px; display: inline-block;">.</div> <div style="border: 1px solid black; padding: 2px; display: inline-block;">0</div> <div style="border: 1px solid black; padding: 2px; display: inline-block;">0</div> <div style="border: 1px solid black; padding: 2px; display: inline-block;">0</div> <div style="border: 1px solid black; padding: 2px; display: inline-block;">0</div>	<p>Supply voltage 230 = 120...230 V</p> <p>Supply version 8 = AC (50/60 Hz)</p> <p>No. of poles 1 = Single pole switching 1 NO (SPST-NO), 10 A</p>
---	---	---

Technical data

Insulation		
Dielectric strength between open contacts V AC		1,000
Other data		
Screw torque	Nm	0.5
Max. cable size	mm ²	1.5

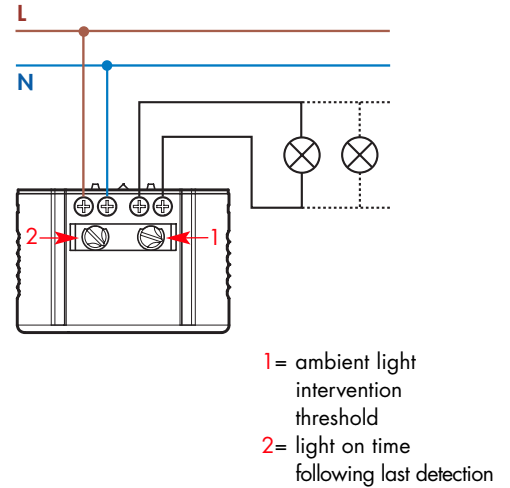
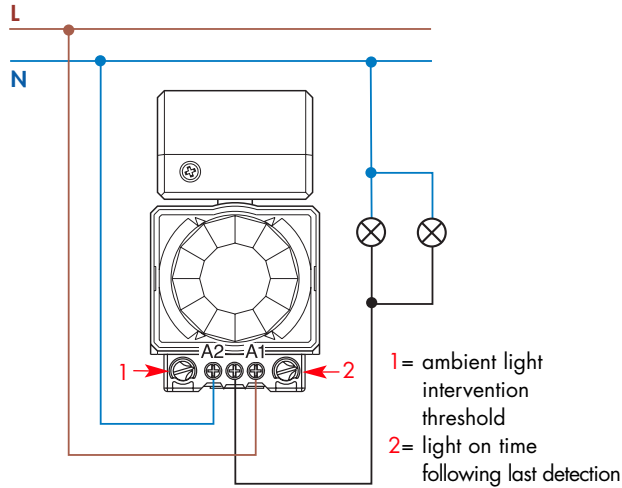
Note

- Following the initial power-on, and following any subsequent power interruption, the detector makes a hardware-software initialization for approximately 30 seconds. However, if the detector was in the On state before the power interruption, and if the lighting level is below the pre-set threshold, the output contact immediately closes. Conversely, if it was in the Off state or if the ambient light is over the pre-set threshold, the detector will not switch until the end of the initialization phase.

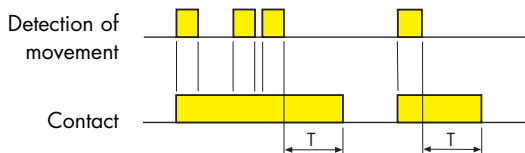
Wiring diagram

Type 18.01 / 18.11

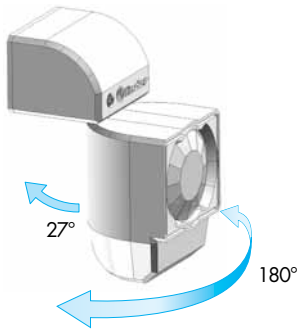
Type 18.21 / 18.31



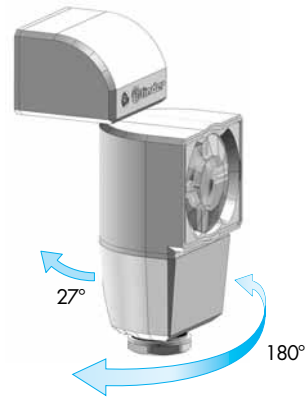
The output relay will remain On for the pre-set time, following the last detection of movement.



Mounting and orientation



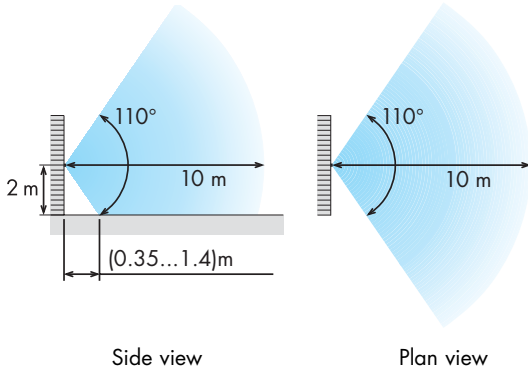
18.01



18.11

Sensing area

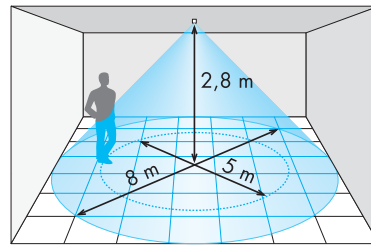
18.01, 18.11 - Wall mounting



Side view

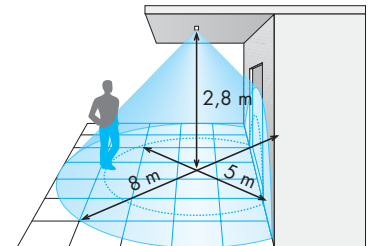
Plan view

18.01 - Ceiling mounting



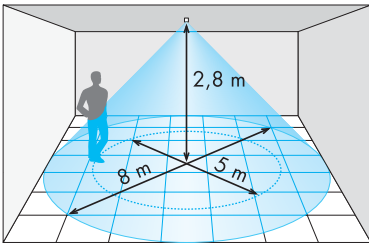
Internal installations

18.11 - Ceiling mounting

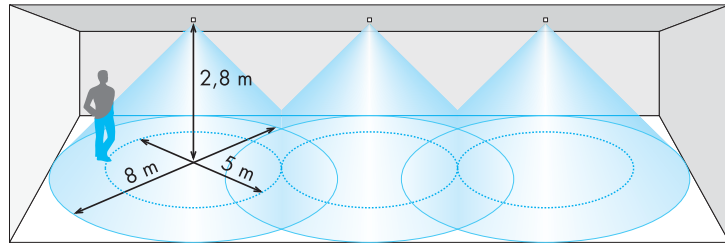


External installations

18.21, 18.31 - Internal ceiling installation, surface mounting or recessed mounting



Single installation



Multiple installation

Accessories



Beam limiter for 18.21 and 18.31 PIR movement detectors

Reduces the area of survey to 2 meters diameter (versus 8m) at an installation height of 2.8 meters.

