

# INJ-24 Series

## IEEE 802.3af/at Gigabit PoE+ Injector



- > PoE injector for 10/100/1000M networks; inject power and data to PD (Power Device) equipment
- > IEEE 802.3af/at compliant; supports a full 30 watt output
- > 24/48 VDC wide range power input
- > -40 to 75°C operating temperature range (T models)



### Specifications

#### Technology

##### Standards:

- IEEE 802.3af/at for Power-over-Ethernet
- IEEE 802.3 for 10BaseT
- IEEE 802.3u for 100BaseT(X)
- IEEE 802.3ab for 1000BaseT(X)

##### Interface

**RJ45 Ports:** 10/100/1000BaseT(X) for PoE OUT and DATA IN

**LED Indicators:** Power, PoE

##### Power Requirements

**Input Voltage:** 24/48 VDC

**Input current:** Max. 1.3 A @ 24 VDC (supports up to 30 watts per PoE port)

**Overload Current Protection:** Present

**Connection:** 1 removable 3-contact terminal block

**Reverse Polarity Protection:** Present

##### Physical Characteristics

**Housing:** Plastic, IP30 protection

**Dimensions:** 24.9 × 100 × 86.2 mm (0.98 × 3.93 × 3.39 in)

**Weight:** 115 g

**Installation:** DIN-Rail mounting

#### Environmental Limits

##### Operating Temperature:

Standard Models: 0 to 60°C (32 to 140°F)

Wide Temp. Models: -40 to 75°C (-40 to 167°F)

**Storage Temperature:** -40 to 85°C (-40 to 185°F)

**Ambient Relative Humidity:** 5 to 95% (non-condensing)

##### Regulatory Approvals

**EMI:** FCC Part 15, CISPR (EN55022) class A

##### EMS:

EN61000-4-2 (ESD), level 3; EN61000-4-3 (RS), level 3;

EN61000-4-4 (EFT), level 3; EN61000-4-5 (Surge), level 3;

EN61000-4-6 (CS), level 3; EN61000-4-8

**Shock:** IEC 60068-2-27

**Freefall:** IEC 60068-2-32

**Vibration:** IEC 60068-2-6

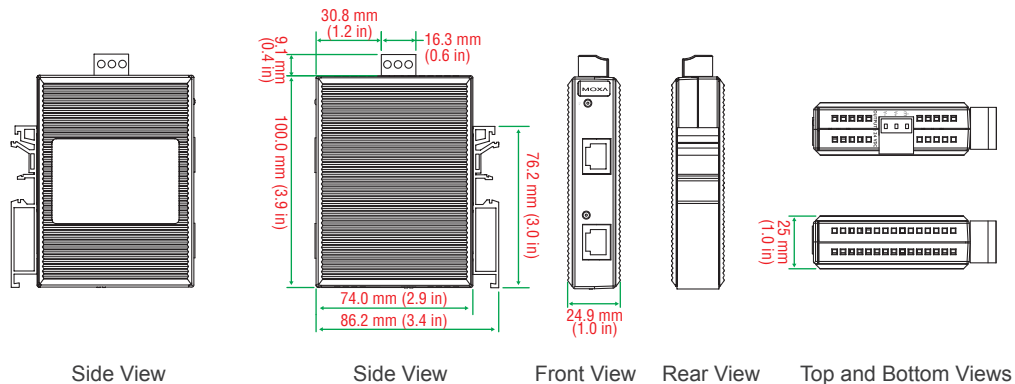
*Note: Please check Moxa's website for the most up-to-date certification status.*

##### Warranty

**Warranty Period:** 5 years

**Details:** See [www.moxa.com/warranty](http://www.moxa.com/warranty)

### Dimensions



### Ordering Information

#### Available Models

**INJ-24:** PoE+ Injector, maximum output of 30 W at 24/48 VDC, 0 to 60°C operating temperature

**INJ-24-T:** PoE+ Injector, maximum output of 30 W at 24/48 VDC, -40 to 75°C operating temperature