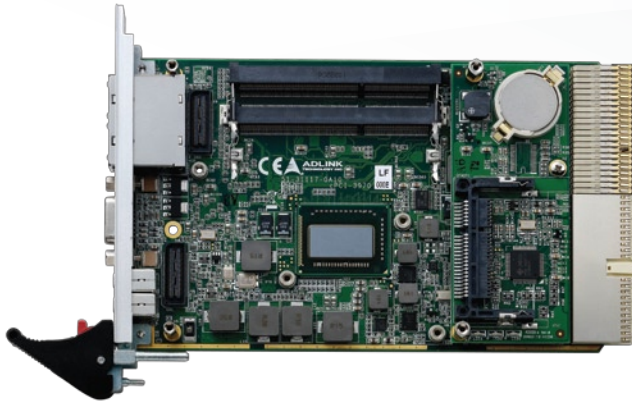


# cPCI-3971 Series

3U CompactPCI® PlusIO 2nd Generation  
Intel® Core™ i7 Processor with ECC

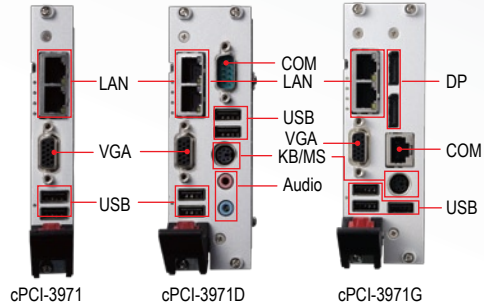
3U cPCI Blades



**EXTENDED  
TEMPERATURE**

## Features

- 2nd generation Intel® Core™ i7/i5 quad/dual-core processor
- Supports DDR3-1333 SDRAM with ECC via SO-CDIMM, up to 16GB
- Supports IPMI for system health monitoring
- Onboard CFast or CF slot
- J2: PCIe Gen2 x4, 3x SATA, 3x USB, 2x GbE



## Specifications

### Processor & System

CPU	<p>µFC-BGA Intel® Core™ i7-2715QE Processor 2.1GHz (Turbo boost to 3.0GHz), 6MB LLC cache, 45W TDP</p> <p>µFC-BGA Intel® Core™ i7-2655LE Processor 2.2GHz (Turbo boost to 2.9GHz), 4MB LLC cache, 25W TDP</p> <p>µFC-BGA Intel® Core™ i7-2610UE Processor 1.5GHz (Turbo boost to 2.4GHz), 4MB LLC cache, 17W TDP</p> <p>µFC-BGA Intel® Core™ i5-2515E Processor 2.5GHz (Turbo boost to 3.2GHz), 3MB L2 cache, 35W TDP</p> <p>Supports Intel® Hyper-Threading and Turbo Boost Technology</p>
Chipset	Intel® QM67 PCH
RAM	Dual channel DDR3-1067/1333 SDRAM with ECC via two SODIMM sockets, up to 16GB capacity (dependent on availability of memory modules)
BIOS	AMI® EFI BIOS, 64Mbit SPI flash memory
CompactPCI Bus	<p>PCI 32-bit/33 MHz, 3.3V or 5V universal V(I/O)</p> <p>Supports operation in system slot as master or in peripheral slot as stand-alone blade without connectivity to CompactPCI bus (Satellite mode)</p>
PICMG Standards	<p>PICMG 2.0 CompactPCI R3.0</p> <p>PICMG 2.1 Hot Swap R2.0</p> <p>PICMG 2.9 System Management R1.0</p> <p>PICMG 2.30 PlusIO</p>

### Connectivity

PMC/XMC	One optional PCI 32-bit/66 MHz PMC site or PCI-Express x1 XMC site on 2nd or 3rd layer
Ethernet	Two PCIe Intel® 82574L Gigabit Ethernet controllers on SBC for two 10/100/1000BASE-T ports on front panel, switchable to J2
Graphics	<p>Integrated in Intel® processor, 3D engine</p> <p>DB-15 VGA port on front panel, switchable to rear, supports up to QXGA 2048x1536 pixels @75Hz, 32-bits</p> <p>Two DisplayPorts on front panel, support up to 2560x1600 pixels @60Hz; DVI, VGA and HDMI interfaces available by adapter cable (cPCI-3971G only)</p> <p>Dual independent display</p>
Serial Port	<p>One RS-232/422/485 port on front panel</p> <p>One RS-232/422/485 10-pin header on DB-3970L2</p>
PS/2	Front panel PS/2 Keyboard Mouse port (8/12 HP version only)
USB	<p>Up to four USB 2.0 front panel ports</p> <p>Three USB 2.0 ports to J2</p>
Audio	Line-in and Line-out ports on front panel (cPCI-3971D/P only)
PCI-Express	PCI-Express x4 to J2

### Storage

SBC	<p>One SATA 6 Gb/s direct connector for 2.5" onboard HDD (8HP &amp; 12HP version only)</p> <p>CompactFlash socket</p> <p>Optional CFast socket (site shared with CF adapter board)</p>
RTM	<p>Three SATA 3Gb/s ports to J2</p> <p>Supports SATA RAID 0/1/5/10</p>

### Operating System

OS	<p>Microsoft Windows® XP Professional</p> <p>Microsoft Windows® 7, 64bit version</p> <p>RedHat Enterprise Linux 6.0</p> <p>Fedora™ 14</p> <p>Wind River VxWorks BSP 6.8</p> <p>(Please contact ADLINK for other OS support)</p>
----	---

### Miscellaneous

LED	Power (green/red), WDT (amber), HDD (blue), Overheat (red)
Battery	Coin cell lithium battery onboard for RTC CMOS RAM
Watchdog Timer	System Reset and NMI, with programmable interval, 1-65535 sec or 1-65535 minutes
Hardware Monitor	Monitors CPU temperature, system temperature, and DC voltages by IPMI
TPM	Infineon SLB 9635 TT1.2

### Mechanical & Environmental

Form Factor	<p>3U 4HP/8HP/12HP CompactPCI</p> <p>100mm x 160mm (LxW)</p> <p>Equipped with UHM J2 connector for full PICMG 2.30 compatibility</p>												
Operating Temperature	0°C to 60°C												
Storage Temperature	-40°C to 85°C												
Rel. Humidity	95% non-condensing												
Shock	20G peak-to-peak, 11ms duration, non-operating												
Vibration	2 Grms random vibration, 5-500Hz, each axis, operating												
Power Consumption	<p>Core i7-2655LE, 4GB DDR3-1333 SODIMM under Windows XP with 100% CPU loading</p> <table border="1"> <thead> <tr> <th></th> <th>Current (A)</th> <th>Power (W)</th> </tr> </thead> <tbody> <tr> <td>3.3V</td> <td>0.71</td> <td>2.3</td> </tr> <tr> <td>5V</td> <td>6.97</td> <td>34.9</td> </tr> <tr> <td>Total</td> <td></td> <td>37.2</td> </tr> </tbody> </table>		Current (A)	Power (W)	3.3V	0.71	2.3	5V	6.97	34.9	Total		37.2
	Current (A)	Power (W)											
3.3V	0.71	2.3											
5V	6.97	34.9											
Total		37.2											
Weight	Net weight 389g with heatsink												

### Safety & EMI

Certifications	CE/ FCC
----------------	---------

## I/O Table

		GbE	USB 2.0	COM	VGA	DP	PS/2 KB/MS	SATA	CF	CFast	Line-in	Line-out	PMC/ XMC
cPCI-3971 (4HP)	Faceplate	2	2		1								
	Onboard								1	optional <sup>(1)</sup>			
cPCI-3971D (8HP)	Faceplate	2	4	1	1		1				1	1	
	Onboard							1 (for 2.5" HDD)	1	optional <sup>(1)</sup>			
cPCI-3971G (8HP)	Faceplate	2	3	1 (RJ-45)	1	2	1						
	Onboard			1 (10-pin)				1 (for 2.5" HDD)	1	optional <sup>(1)</sup>			
cPCI-3971P (12HP)	Faceplate	2	4	1	1		1				1	1	
	Onboard							1 (for 2.5" HDD)	1	optional <sup>(1)</sup>			1
cPCI-3971U (12HP)	Faceplate	2	3	1 (RJ-45)	1	2	1						
	Onboard			1 (10-pin)				1 (for 2.5" HDD)		optional <sup>(1)</sup>			1

(1) Available by replacing CF socket adapter board with CFast socket adapter board (DB-3CFAST)

## Ordering Information

Model Number	Description/Configuration
<b>CPU Board</b>	
cPCI-3971/655L/M4G	1-slot (4HP) 3U CompactPCI® PlusIO Blade with Intel® i7-2655LE processor and 2x 2GB DDR3-1333, 2x GbE, VGA, 2x USB, CF
cPCI-3971D/655L/M4G	2-slot (8HP) 3U CompactPCI® PlusIO Blade with Intel® i7-2655LE processor and 2x 2GB DDR3-1333, 2x GbE, VGA, 4x USB, Audio, KB/MS, COM, SATA, CF
cPCI-3971D/610U/M4G	2-slot (8HP) 3U CompactPCI® PlusIO Blade with Intel® i7-2610UE processor and 2x 2GB DDR3-1333, 2x GbE, VGA, 4x USB, Audio, KB/MS, COM, SATA, CF
cPCI-3971G/655L/M8G	2-slot (8HP) 3U CompactPCI® PlusIO Blade with Intel® i7-2655LE processor and 2x 4GB DDR3-1333, 2x GbE, VGA, 4x USB, KB/MS, COM, 2x DP, SATA, CF (one DP to DVI cable is included)
cPCI-3971G/610U/M4G	2-slot (8HP) 3U CompactPCI® PlusIO Blade with Intel® i7-2610UE processor and 2x 2GB DDR3-1333, 2x GbE, VGA, 4x USB, KB/MS, COM, 2x DP, SATA, CF (one DP to DVI cable is included)

### Accessory

DB-3CFAST	CFast socket adapter board
DP-DVI cable	DisplayPort to DVI adapter cable
DP-VGA cable	DisplayPort to VGA adapter cable
DP-HDMI cable	DisplayPort to HDMI adapter cable

Contact us for different CPU, memory, HDD combinations.